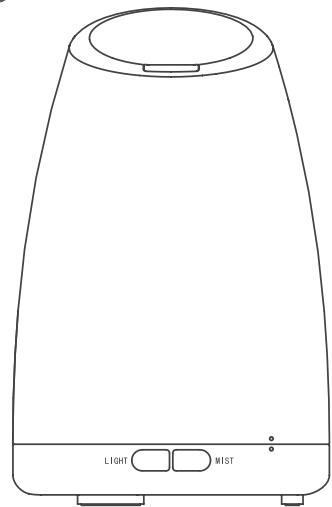




Aroma dream aromatherapy diffuser INSTRUCTION MANUAL



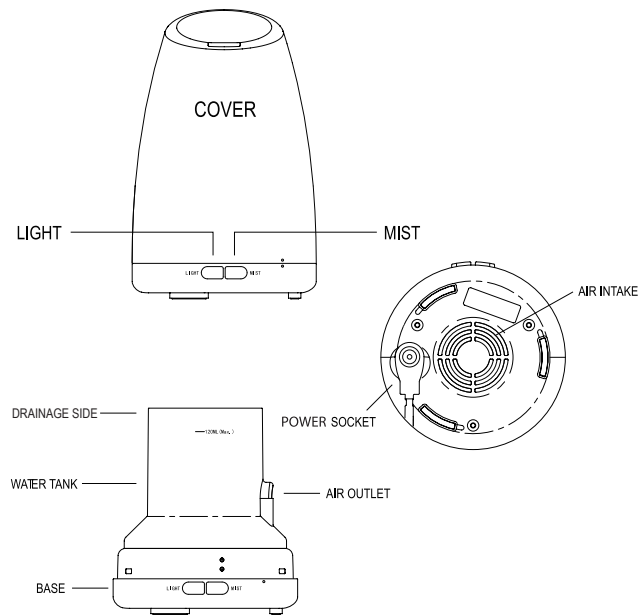
The Aroma Dream Aromatherapy Diffuser uses ultrasonic waves to vaporise water and essential oils to produce a cool, fragrant mist.

Create an aromatherapy haven with certified organic pure essential oils and the world's best aromatherapy blends from Perfect Potion.

Specifications

Model	Aroma dream aromatherapy diffuser
Dimensions	Approx. 100mm (w) x 160mm (h)
Weight (ex adaptor)	Approx. 220g
Power; Input/Output	AC 100 – 240V 50/60Hz DC 24V 0.5A
Length of cable	Approx. 1800mm
Electricity consumption	Approx. 12 W
Tank capacity	100mL
LED light	3 bulbs
Materials	Upper parts – PP, lower base – ABS
Accessories	Power cable, measuring cup, user manual
Diffusion time - continuous mode	Up to approx. 3 – 4 hours. Longer on intermittent mode.
Method of mist production	Ultrasonic vibration at approx. 2.4mhz

Made in China



How to use

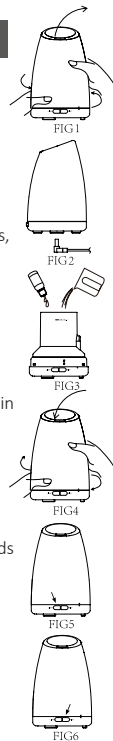
1. Sit the diffuser in an upright position and remove the cover. (Fig 1)
2. Attach the power cable to the base of the diffuser. (Fig 2)
3. Use the measuring cup to fill the water tank with clean water.
Do not exceed water max line level as indicated on the water tank.
Do not refill water while in operation. (Fig 3)
4. Add 3 – 5 drops of pure essential oil into the water tank. (Fig 3)
5. Replace the water tank cover. (Fig 4)
6. Plug the power cable into the power supply. When you hear two beeps, the diffuser is ready.

To operate the LIGHT function (Fig 5)

1. **Rotating coloured lights:** Press the LIGHT button (left button), you will hear a beep, and the LED lights will rotate continually through various colours.
2. **Choose a single coloured light:** Once you see the colour you like press the LIGHT button again to hold that colour. Press the LIGHT button again to change the colour and brightness.
3. **Turn off light:** Press and hold the LIGHT button and the LED lights will turn off.

To operate MIST function (Fig 6)

- **For intermittent mist:** Press the MIST button (right) once and the diffuser will start dispersing in interval mode (30 seconds on/30 seconds off). Green light indicates interval mist.
- **For continuous mist:** Press the MIST button again; you will hear a beep and the mist will start dispersing in continuous mode. Red light indicates continuous mist.
- **Turn off mist:** Press the MIST button a third time and the mist function will turn off.
- **Turn device off:** Press and hold the MIST button for 2 seconds. Diffuser will automatically turn off when the water levels are too low.



Read before use

Please follow the below precautions to avoid malfunction.

1. Use only with pure essential oils.
2. Do not fill over max line at any time.
3. Use clean water only. Do not use mineral water, sparkling water, etc.
4. Do not switch on power when the tank is empty.
5. Do not block the air intake on the base of the diffuser.
6. Do not scratch the ultrasonic vibration plate.
7. Clean regularly following the cleaning instructions to avoid malfunctioning.
8. Always unplug from power supply before maintenance.
9. After each use, pour away remaining water from the opposite side of the air outlet and rinse.
10. If you are not using the diffuser for long periods of time, drain the water from the tank and wipe dry.
11. Essential oils can stain. In the event of spillage, wipe away with a soft cloth immediately.
12. Only use the measuring cup provided to add water to the tank. Never fill directly from the tap.
13. Do not let mist blow directly onto furniture, clothing, walls, etc.
14. Keep away from direct sun, heat sources, air conditioners or fans.
15. Keep away from electronics.
16. Always keep on a stable, flat surface. Do not place on carpet, bed or any unstable areas.
17. Do not tip the diffuser when in use. This may cause water to enter the mechanism and cause malfunctioning.
18. Never move the unit when in use.
19. Do not touch any part of the diffuser with wet hands.
20. Keep out of reach of children and pets.
21. Keep power cable clear of pathways and do not pull forcefully.

Troubleshooting

Please refer to the table below in the event of the diffuser operating abnormally

Issue	Solution
No power	Check the power cable is connected correctly.
Water leakage	Always make sure the covers are properly installed. Make sure the unit has not been tipped over. If the temperature is too low or humidity is too high the mist might condense and water droplets form.
No mist/ abnormal mist	The amount and intensity of mist produced will vary, but this is not unusual and should not be considered a fault. Check that the power cable is connected properly. If unsure, remove the power cable and reconnect. Check that there is adequate water in the water tank. If empty, the diffuser will not mist. Also, if the water level exceeds the max water level line, the mist will not disperse. Clean the ultrasonic disc as instructed in the cleaning instructions.
LED light not turning on	Take note that the LED light turns off when the diffuser shuts off automatically.
Smoke or burning smell	Turn off at the wall and unplug immediately.

Cleaning & maintenance

After 3-4 days of use, follow the steps below to clean the diffuser:

1. Before cleaning, switch the unit off and unplug it.
2. Pour out any remaining water from the drain side of the water tank.
3. Add warm water to the tank and mix with a few drops of mild detergent. Gently clean with a soft cloth.
4. Use a cotton bud to gently clean the ultrasonic vibration plate.
5. Pour out the cleaning solution.
6. Rinse with clean water.

To clean cover

1. Remove the inner cover from the outer cover.
2. Clean using a soft cloth and clean water. Make sure nothing is blocking the airflow.
3. Reinsert the inner cover until it clicks into place.

Accidental Leakage

In the event of the diffuser being knocked over or tipped during use, please follow these steps to avoid malfunction.

1. Unplug the unit and remove the cover
2. Pour out any remaining water from the DRAINAGE SIDE.
3. Shake the unit gently to drain any water inside the mechanism and allow to dry for 24 hours before use.

PLEASE NOTE:

- Never immerse the unit in water or let water enter the air outlet.
- Keep dry when not in use.

Warranty

Electrical products come with a 12 month warranty from date of purchase as per manufacturer's guarantee. Faulty electrical products must be returned to place of purchase or sent directly to Perfect Potion's Head Office based in Banyo, Queensland. For returns from our stores, please allow one (1) week transfer and two (2) working days for testing upon receipt at our head office.

If your electrical product is deemed to have a major fault, we will contact you so that you can elect your option of a refund or replacement. If it is deemed to have a minor fault, it will be repaired or replaced then sent directly back to you. If your product is found not faulty, you may be charged to have it returned to you.

There will be no refund or exchange on your electrical product until it has been tested by Perfect Potion's Quality Assurance department. If you require further information, please contact the Office of Fair Trading or Consumer Affairs in your state.

You may choose to receive a refund, exchange or credit where the product is faulty, wrongly described, different from a sample shown to you or does not do what it is supposed to do. Perfect Potion products must be returned as soon as possible, accompanied by the original purchase receipt.

We do not give refunds for change of mind, wrong selection or unwanted gifts. We do not resell returned products in order to ensure product integrity.

Perfect Potion Australia

7 Guardhouse Road, Banyo Qld 4014
P +61 7 3256 8500 or 1800 988 999

www.perfectpotion.com.au